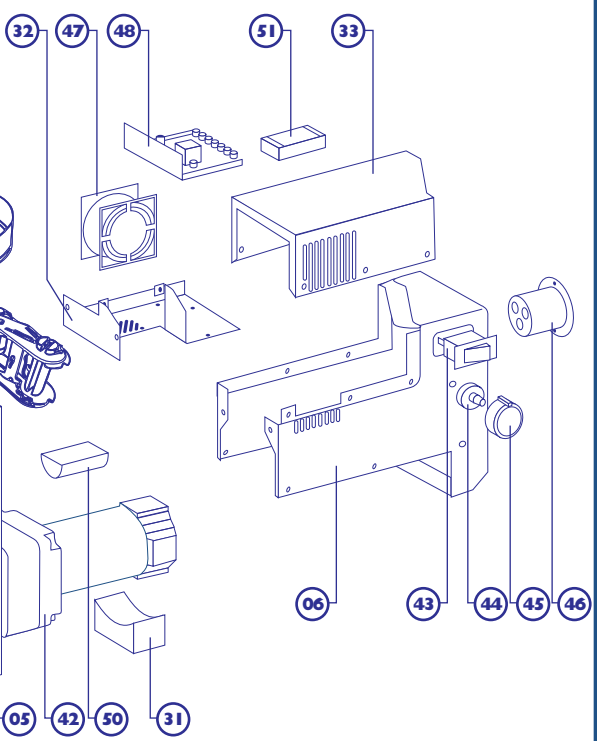
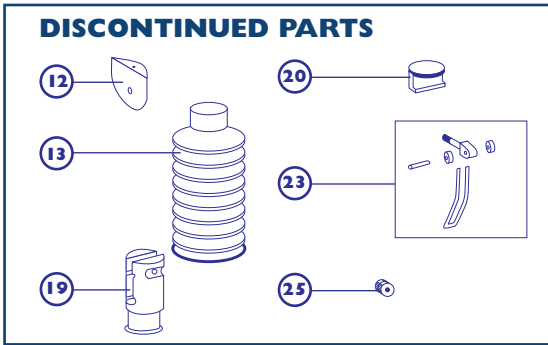
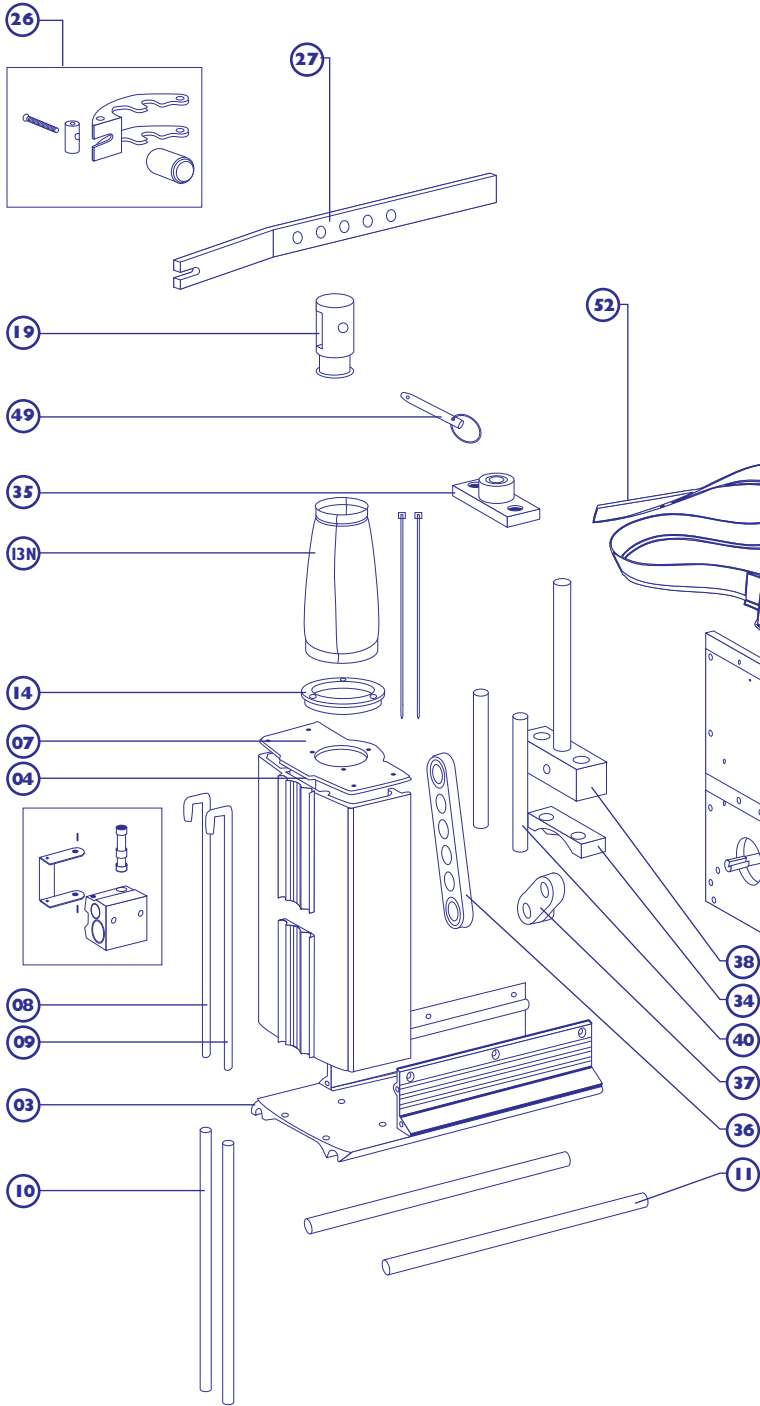


Parts Diagram



waterra Groundwater Monitoring Equipment & Supplies
 Waterra Pumps Limited



HydroLift-2

No.	Part Description	Sub-assembled Parts	Quantity	No.	Part Description	Sub-assembled Parts	Quantity
03	Base	-	1	32	Controller support bracket	-	1
04	Front cover	-	1	33	Rear lid	-	1
05	Support plate	-	1	34	Rail support block - lower	-	1
06	Enclosure rear	-	1	35	Rail support block - upper	-	1
07	Top cap	-	1	36	Crank arm - long	-	1
08	Hook front: Right	-	1	37	Crank arm - short	-	1
09	Hook front: Left	-	1	38	Sliding block	041	1
10	Sleeve, rubber	-	2	40	Rails	-	2
11	Foot	-	2	42	Motor c/w gear box	-	1
12	Body hump (Discontinued)	-	1	42a	Brushes	-	2
13	Bellows (Discontinued)	-	1	43	Power switch	-	1
13N	Neoprene boot	-	1	44	Potentiometer	-	1
14	Flange, boot	-	1	45	Speed control knob	-	1
15	Block discharge clamp*	016, 017, 018	1	46	Power receptacle	-	1
19	Fork (Discontinued)	-	1	47	Fan	-	1
20	Fork cap (Discontinued)	-	1	48	Controller	-	1
23	Wire cam lever (Discontinued)*	021, 022, 024	1	49	Clevis pin	-	1
25	Thumb nut (Discontinued)	-	1	50	Filter**	-	1
26	Tubing clamp bracket*	028, 029, 030	1	51	Surge Protector***	-	1
27	Clamp arm	-	1	52	Ratchet belt	-	1
31	Motor bumper	-	1				

NOTE: * Replacement parts that are grouped with sub-assemblies are sold only as complete parts.

** CE units only

*** 220V units only

Distributor

Envirotecnicos Global Service SL

Oficinas y Fabricación: Calle dels Pirineus s/n (esquina Espinau) 17460 -

Celrà - Girona Tel: 872 080 542 Fax: 872 080 543

Delegación Madrid: Avda. de Castilla 28 - 28830 - Tel: 916 780 039

Servicio al cliente:

envirotecnicos@envirotecnicos.com www.envirotecnicos.com

waterra Groundwater Monitoring Equipment & Supplies

Waterra Pumps Limited



HydroLift-2